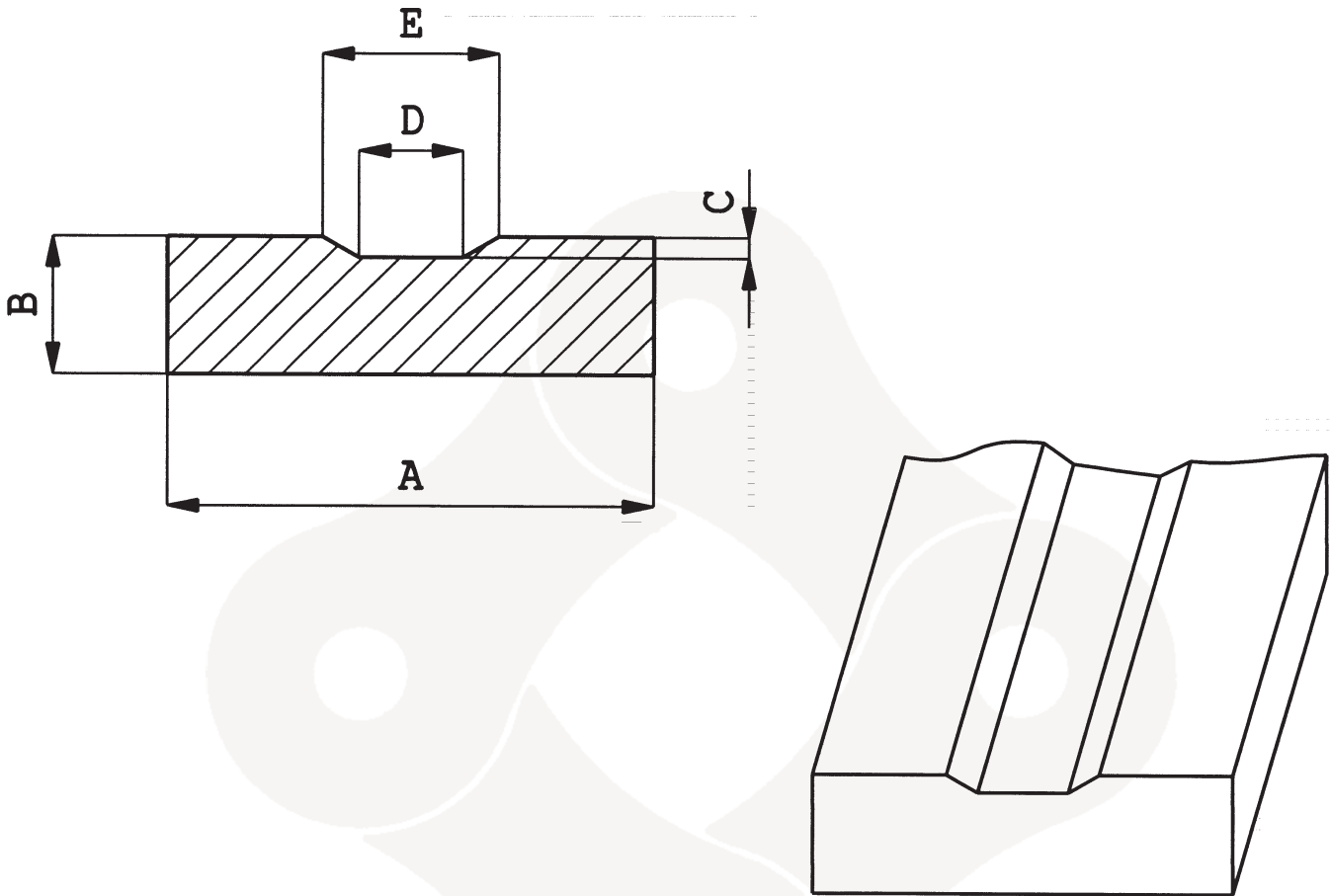



CATENE RASCHIANTI A MAGLIE STAMPATE - SCRAPER CHAINS FORGED LINKS

Guide di usura - Wear Rails



 codice - code	DIMENSIONI - DIMENSIONS					Peso al metro Weight per meter kg/m
	A mm	B mm	C mm	D mm	E mm	
GM 2510	25,0	10,0	2,0	5,0	12,0	1,83
GM 3010	30,0	10,0	2,0	5,0	11,5	2,32
GM 3510	35,0	10,0	2,0	5,0	11,5	2,61
GM 4010	40,0	10,0	2,0	5,0	12,0	3,01
GM 4020	40,0	20,0	2,0	5,0	12,0	6,15
GM 5010	50,0	10,0	2,0	5,0	12,0	3,82
GM 5020	50,0	20,0	2,0	5,0	11,5	7,72
GM 6010	60,0	10,0	3,0	6,0	16,4	4,45
GM 6012	60,0	12,0	2,5	12,0	14,0	5,50
GM 6020	60,0	20,0	3,0	6,0	16,4	9,15
GM 7010	70,0	10,0	3,0	15,0	25,0	5,02
GM 7020	70,0	20,0	3,0	15,0	25,4	10,60

Materiale
Material

Numero Werkstoff
Werkstoff Number

Tolleranze secondo
Tolerance acc. to

DIN X120Mn12
UNI X120Mn13
AFNOR Z120Mn12

1.3401

DIN 1017

